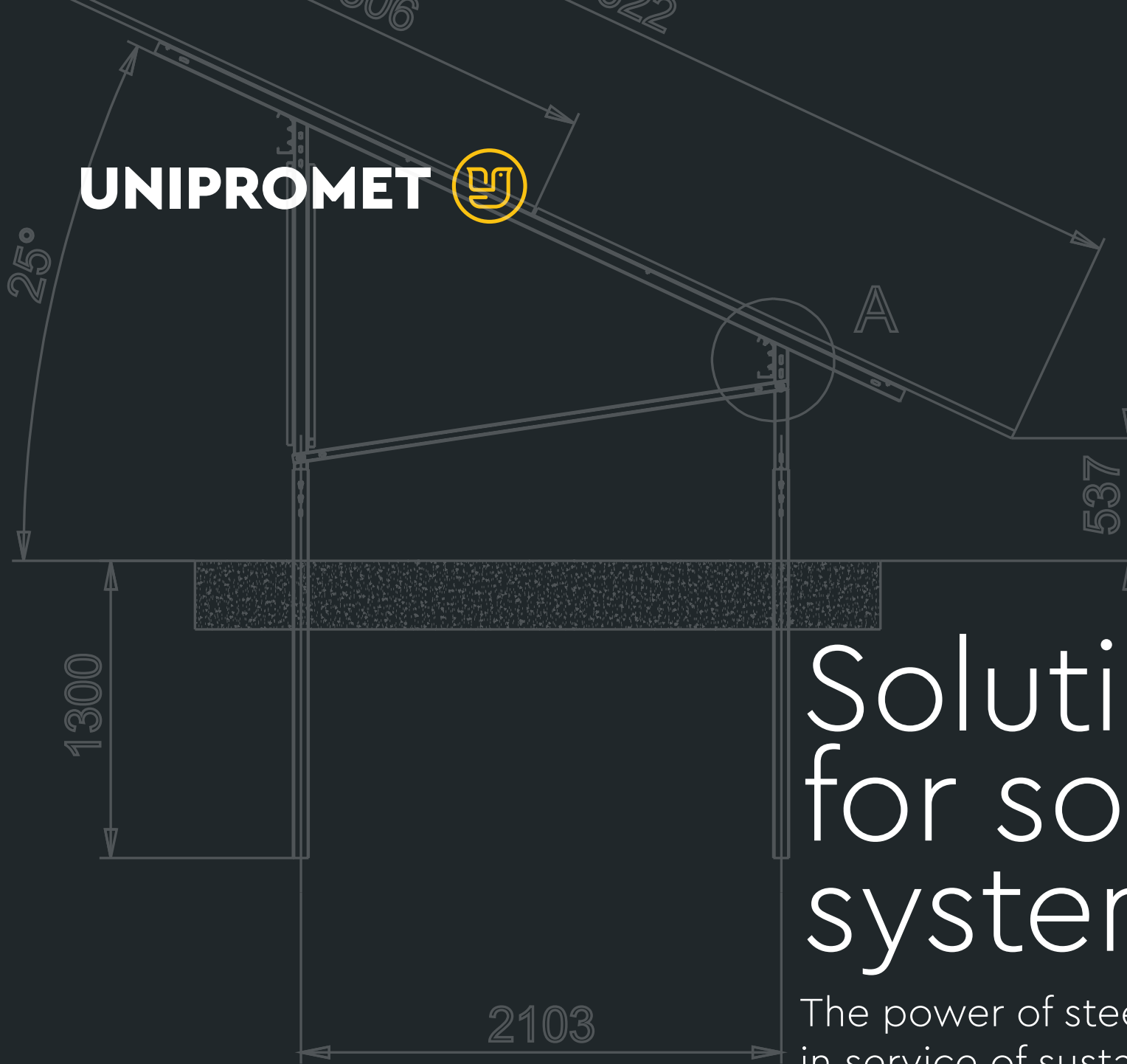


UNIPROMET 



Solutions for solar systems

The power of steel
in service of sustainability

WHO ARE WE?

Synonymous with safety, for over 35 years



With more than three and a half decades of experience, Unipromet is synonymous with long-term stability and quality in the steel industry.

During this period, we specialized in the production, delivery and installation of steel protective fences for roads, noise protection panels, seam pipes and various steel structures and as such built a position as an internationally recognized leader and trusted partner.

Our business practice is aligned with the strictest European and international standards, including EN 1317, ASTRA and NF, which guarantees the top quality and reliability of our products.

As a strategic step in further development, since 2012 we have been actively operating in the field of renewable energy sources.

KEY FACTS ABOUT US?

LET THE NUMBERS SPEAK FOR US



1989.

year of establishment



3

representative offices:
Serbia, Macedonia and France



660+

employees



30+

markets around the world



2

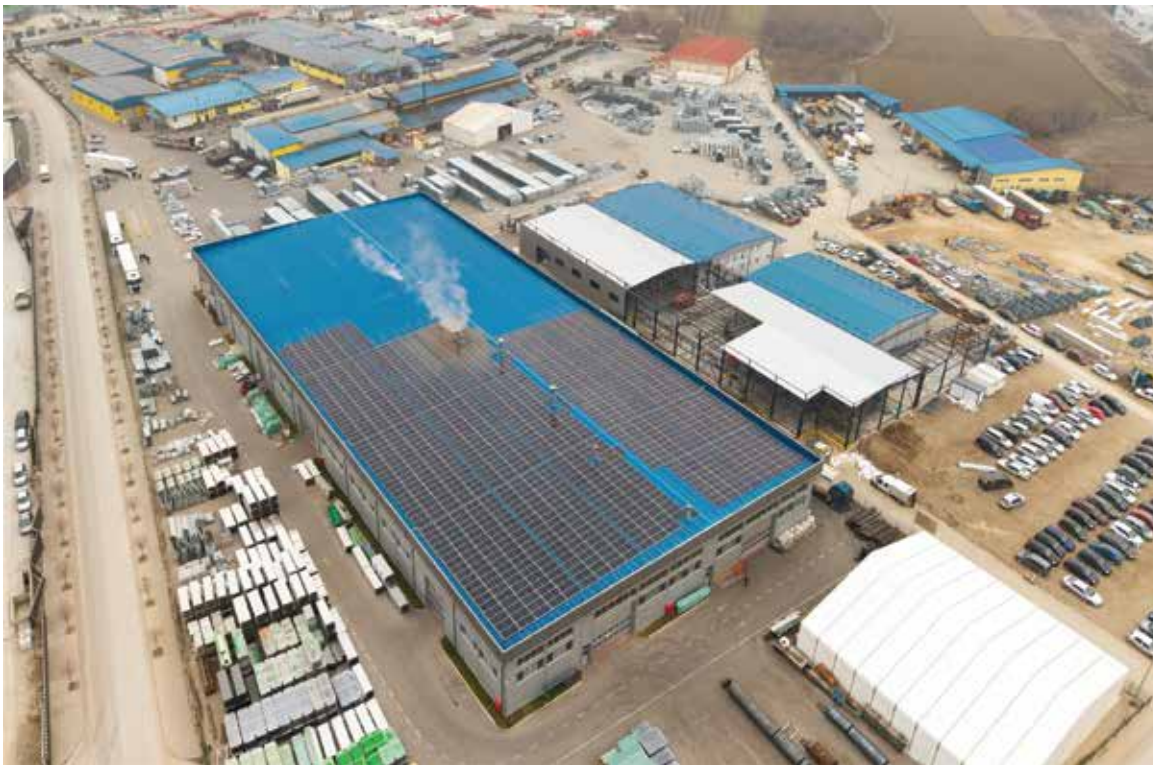
non-profit foundations

CAPACITIES THAT PUSH BOUNDARIES

EFFICIENCY AT EVERY STEP

On a **total area of 220,000 m²**, including **60,000 m² of closed production space**, we develop a modern and highly efficient production system based on expertise, innovation and precision.

With an annual processing capacity of **90,000 tons of steel** and more than **33,000 tons of galvanized products**, Unipromet positions itself as one of the leading international leaders in the field of metal processing and protection. Our technical and logistical capacities enable reliable delivery, as well as the realization of the most complex projects – quickly, with high quality and in accordance with the highest industrial standards.



QUALITY THAT CARRIES THE SEAL OF TRUST

9001, 14001, 45001, EN 1461, EN 1090, EN 3834 – 2

At Unipromet, quality is the foundation of our business. We are committed to meeting the strictest international standards, ensuring that every product and service is of impeccable quality. Through continuous innovation, rigorous control and attention to detail, we constantly work to exceed our clients' expectations.

Our focus on long-term excellence and process improvement enables us to provide solutions that fully meet global quality standards, making us a reliable partner every step of the way.



WHAT WE DO?

Foundation for Success



POWDER COATING PLANT



HOT-DIP GALVANIZING PLANT

OUR ASSORTMENT

COMPLETE SOLUTIONS FOR INDUSTRY



STEEL PROTECTIVE FENCES

- Road safety guardrails
- Noise protection panels
- Wire fences
- Pedestrian fences

STEEL CONSTRUCTIONS

- for farms
- for industry
- for mobile barriers
- for traffic signs
- for agrivoltaic systems
- for solar carports
- vineyard poles

PIPES, SHEETS AND STRIPS

- Pipes and tubes
- Handle M9
- ZP Profiles
- Coldrolled sheet
- Hot-rolled sheet
- Cold-rolled strip
- Hot-rolled strip

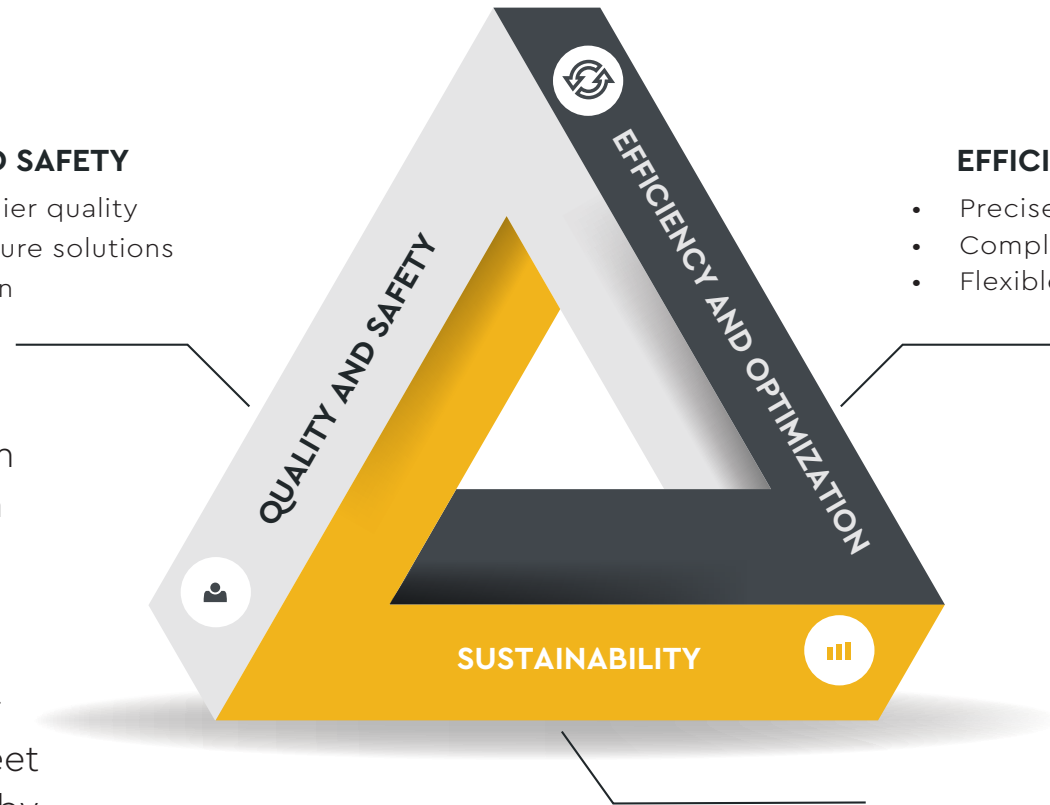
OUR BUSINESS PHILOSOPHY

QUALITY AND SAFETY

- Checked supplier quality
- Stable and secure solutions
- Detailed design

Our business model is focused on creating long-term value through key principles: quality, sustainability and optimization.

These principles allow us to offer products and services that meet the highest standards, thereby actively contributing to sustainable development, improving efficiency and increasing safety in all segments of our business.



EFFICIENCY AND OPTIMIZATION

- Precise design
- Complete production process
- Flexible implementation

SUSTAINABILITY THROUGH RESPONSIBILITY

- Sustainable materials
- High resistance
- Minimal maintenance costs

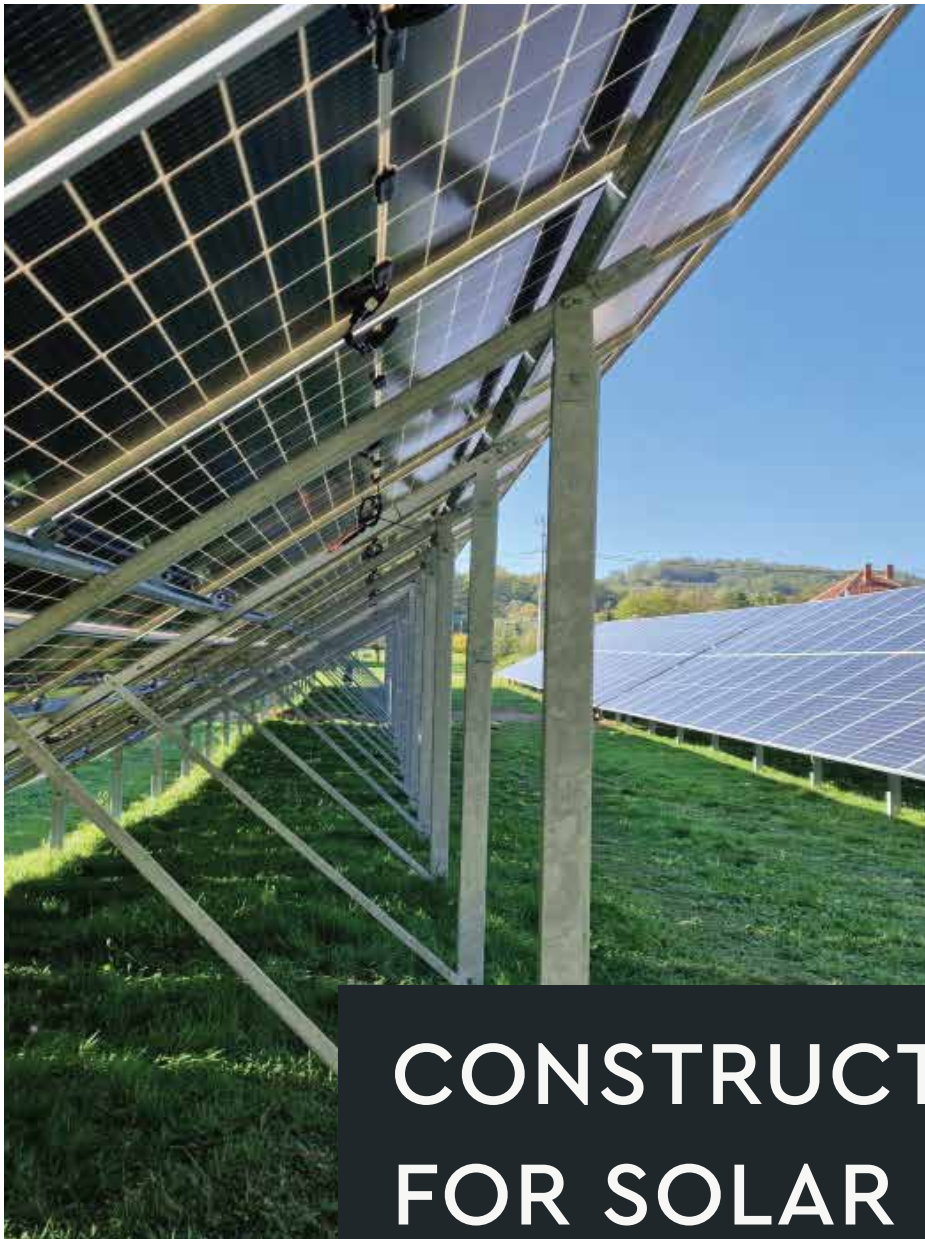
SOLUTIONS THAT LAST

At Unipromet, we develop strategic solutions based on a thorough analysis of all key factors – from specific climatic conditions, to the type of terrain, to the static requirements of the structure itself.

Our team of engineers draws on knowledge, experience and advanced software tools to ensure that each solution is not only stable and secure, but also profitable in the long term.

We participate in every step, from design to implementation, with the aim of supporting your investments through sustainability, efficiency and precision.





CONSTRUCTIONS FOR SOLAR POWER PLANTS

Solar power plants, as one of the most promising sources of "clean" energy, are becoming a key factor in the energy transition, enabling the reduction of carbon dioxide emissions and long-term energy independence.

In this direction, the company "Unipromet" has recognized the opportunity and responsibility to contribute to the development of this sector through innovative solutions, modern production and strategic projects.

With many years of experience in the field of metal structures and infrastructure solutions, we have laid a solid foundation for the development of products that meet modern energy needs.

YOUR
SOLAR
POWER
PLANT
ON
A SOLID
FOUNDATION
OF
SUSTAINABILITY



WHY ARE UNIPROMET STEEL CONSTRUCTIONS THE RIGHT CHOICE?

- **Exceptional strength and durability:** Steel is known for its high strength and durability, making it suitable for supporting large and heavy solar systems. It provides exceptional load capacity and can withstand harsh weather conditions, including high winds and heavy snow loads compared to other lighter structures.
- **Precise design with static calculations:** A team of engineers is dedicated to the development of project plans, which include static calculations, taking into account the specific characteristics of the terrain. By correctly choosing the angle of placing the panels, we optimize the use of solar energy, which significantly increases the efficiency of the system.
- **Support during the project:** In order to provide a complete service, our engineers are available during the entire duration of the project for all questions and support. Whether it's the design phase, installation or post-sales support, our team is here to ensure a smooth and efficient workflow and provide expert assistance at all times.
- **Warranty up to 25 years:** Steel galvanized systems according to the EN 1461 standard come with a warranty of up to 25 years, depending on the conditions of the corrosive environment. These long-term guarantees provide security and stability of the investment, making it a reliable choice for the long term.

CONSTRUCTIONS FOR SOLAR POWER PLANTS

REBUTTAL

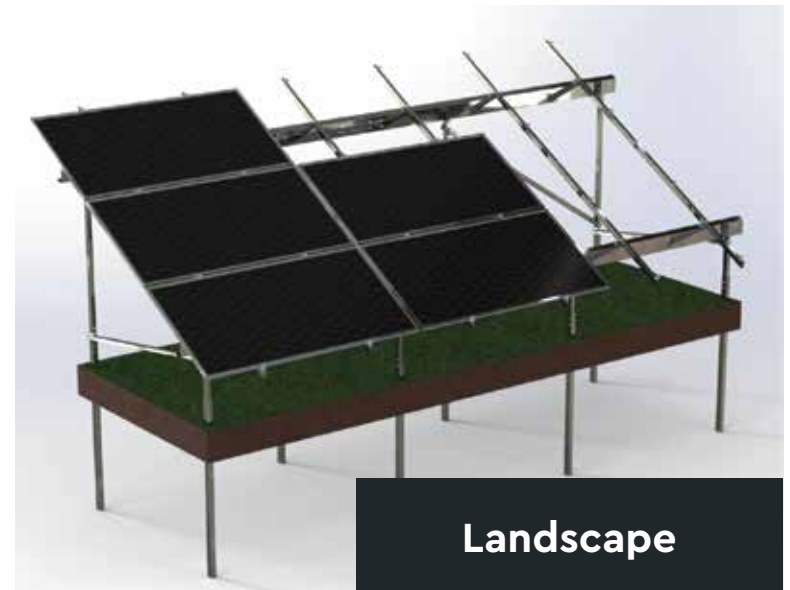


Portrait

Ground-mounted structures are ideal for installations in areas where it is possible to simply install poles in the ground.

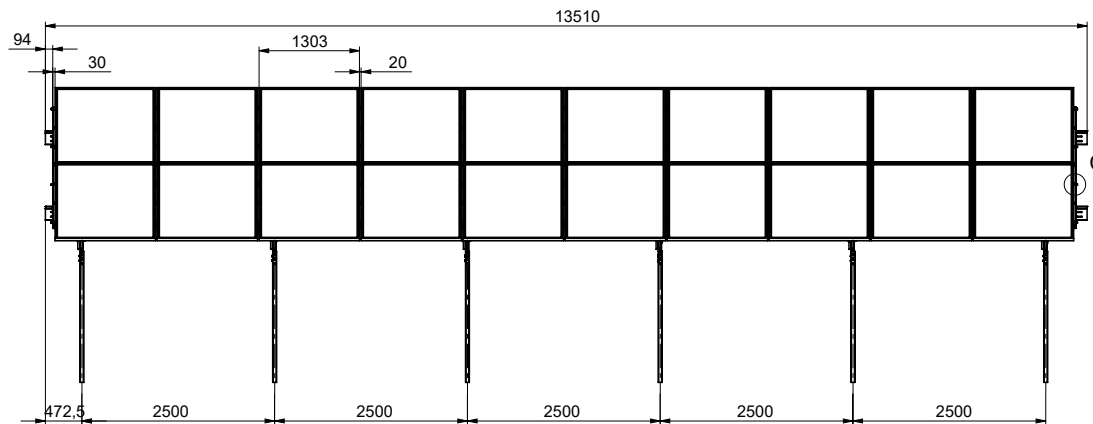
This system allows for quick and easy installation, with minimal construction work.

They provide stability and resistance to various weather conditions, making them the perfect solution for solar panels on open surfaces.



Landscape

TECHNICAL SPECIFICATIONS

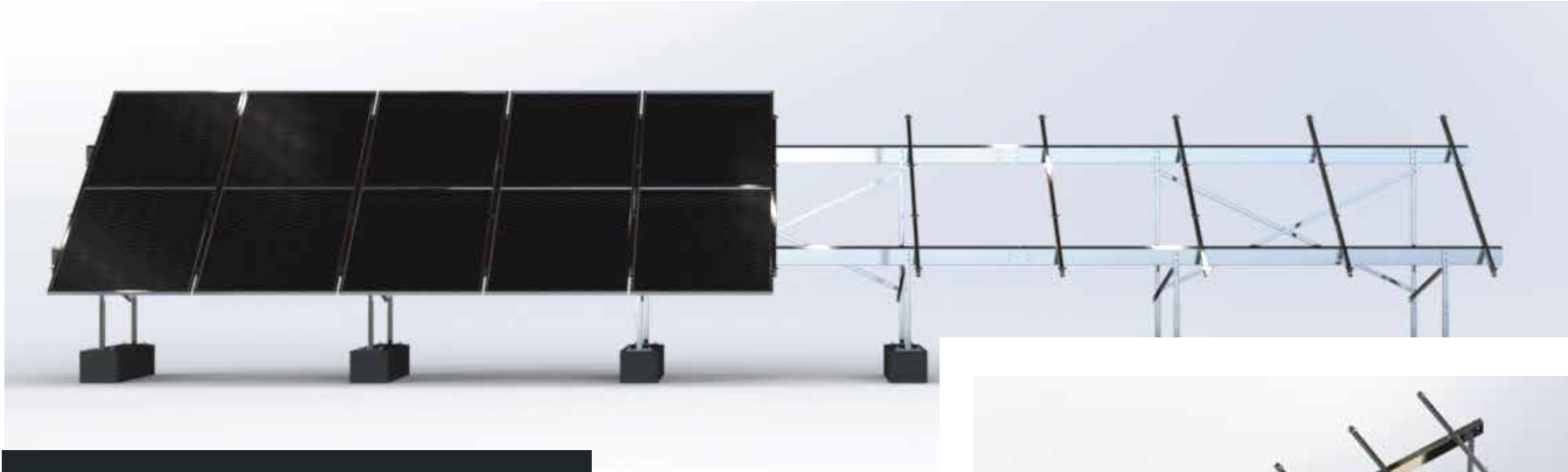


layout of the module:	Portrait / Landscape
by row:	1
angle:	10,15,20,25,30
depth of rebuttal:	1300mm / 1400mm
material:	high-quality construction steel with increased durability
additional options:	inverter assembly set



CONSTRUCTIONS FOR SOLAR POWER PLANTS

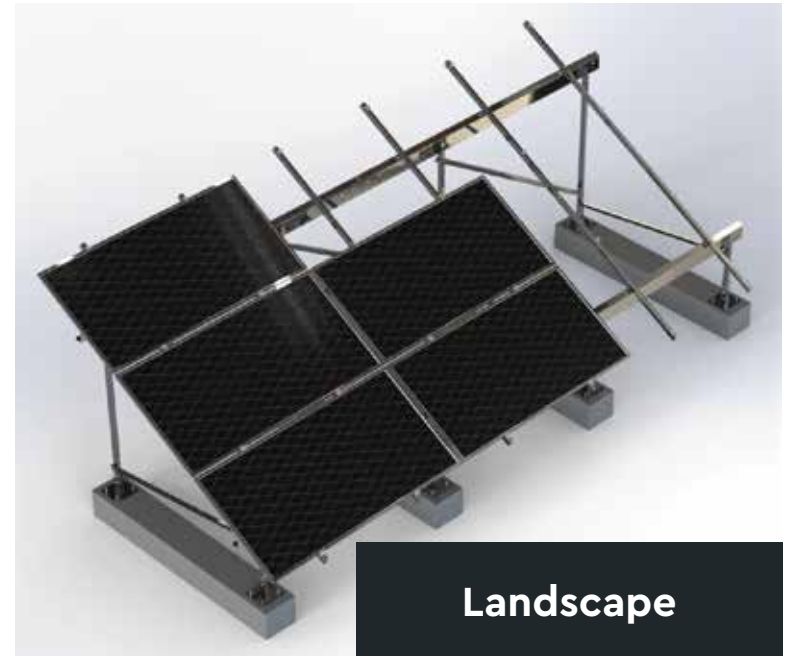
ANCHORING



Portrait

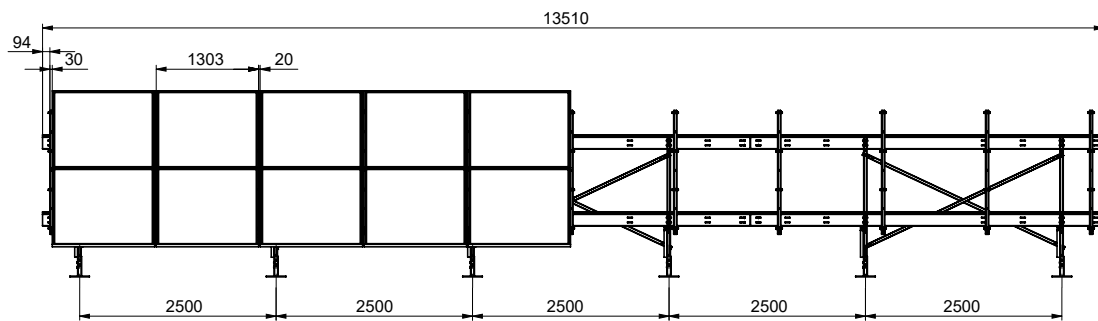
Anchored structures provide additional security in areas with more demanding conditions, such as windy terrain or areas with difficult soil conditions.

This system uses solid foundations that ensure the longevity and stability of solar installations, reducing the risk of movement or damage.



Landscape

TECHNICAL SPECIFICATIONS



Layout of the module:	Portrait / Landscape
by row:	10 u redu (2 kolone po 10 u redu)
angle:	10,15,20,25,30
depth of rebuttal:	Anchoring
material:	high-quality construction steel with increased durability
additional options:	inverter assembly set





CONSTRUCTIONS FOR AGRIVOLTAIC SYSTEMS

Unipromet steel structures for Agrosolar systems represent the perfect combination of sustainability in agriculture and efficient solar energy production.

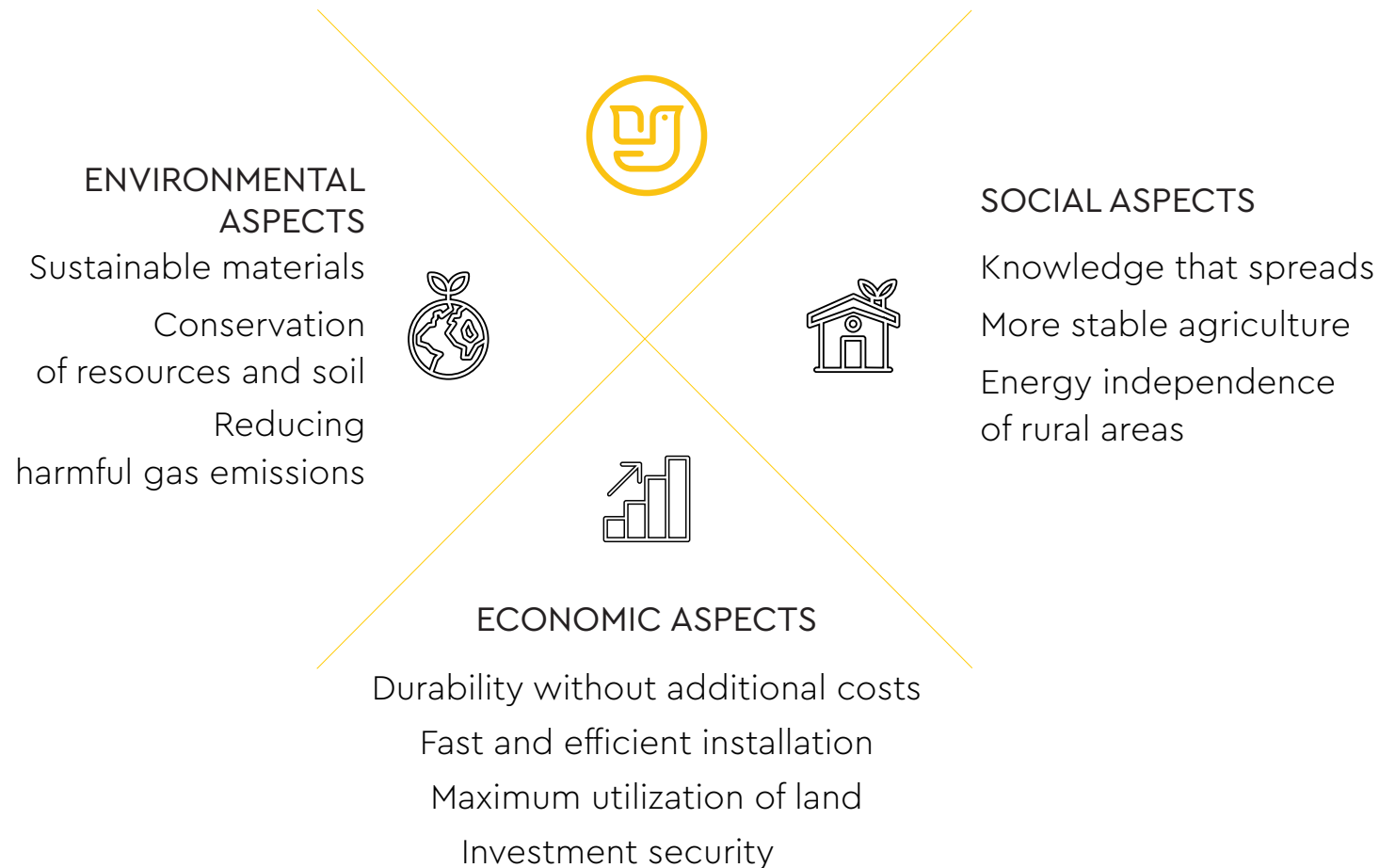
Our solutions enable simultaneous energy production and improvement of plant growing conditions, thus contributing to energy self-sustainability.

Agrosolar systems represent the future of sustainable agriculture, providing users with efficient, long-term and environmentally friendly options for producing food and energy on the same land.

With our innovative approach, we not only improve agricultural practices, but also contribute to reducing the ecological footprint and preserving natural resources for future generations.

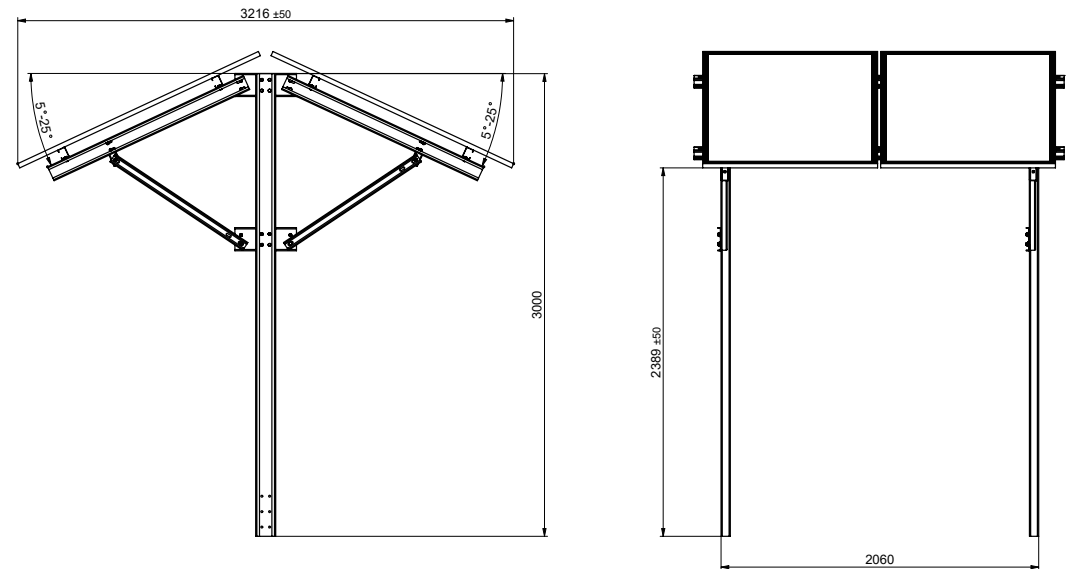
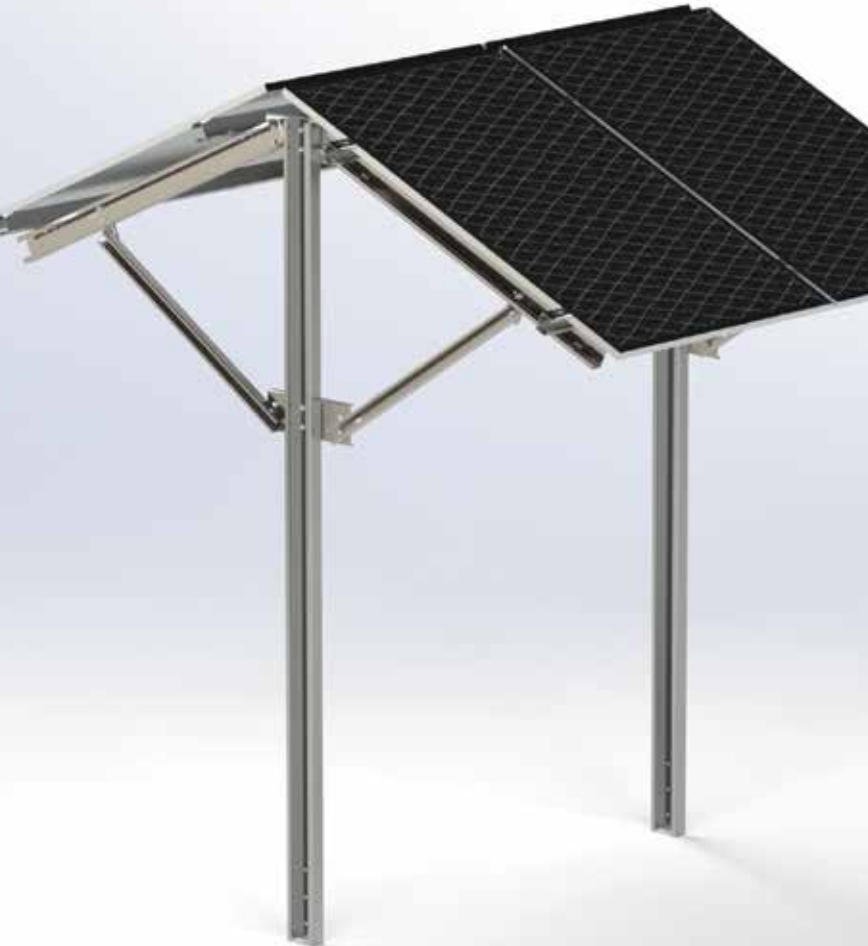
CONSTRUCTIONS
THAT
COMBINE
YIELD
GROWTH
WITH
THE POWER
OF
"CLEAN"
ENERGY

WHY ARE UNIPROMET STEEL CONSTRUCTIONS FOR AGRIVOLTAIC SYSTEMS THE RIGHT CHOICE?



AGRIVOLTAIC SYSTEMS

HORIZONTAL MODEL

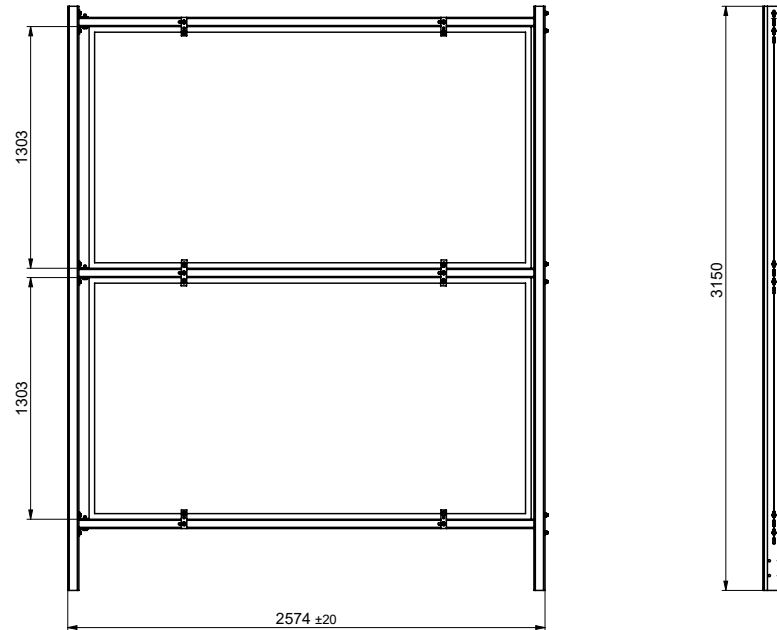


APPLICATION:

- **Optimal use of space** - panels are placed above the ground in a horizontal plane, leaving enough space for unhindered agricultural activities,
- **Protection of crops and soil from extreme weather conditions** - such as strong wind, hail or excessive solar radiation,
- **Increase in yields** - through microclimate regulation, preservation of soil moisture and reduction of plant stress,
- **Efficient energy production** - while maintaining access to mechanization and unhindered work of farmers.

AGRIVOLTAIC SYSTEMS

VERTICAL MODEL



APPLICATION:

- **Maximum use of arable land** – leaving most of the space free for sowing and cultivation, the distance between the rows allows the passage of agricultural machines and devices,
- **Energy production from both sides of the panel** – increasing the energy yield using reflected light from the ground,
- **Protection of crops, soil and livestock from bad weather** – while preserving the quality of the soil,
- **Favorable shade and microclimate** - contributes to the better growth of certain crops, especially in arid and sunny regions.





UNI CARPORT

In a world where sustainability and aesthetics meet, solar UNI Carports are the perfect choice for modern investors and companies.

Made of high-quality, long-lasting material, UNI Carports are designed to withstand various weather conditions, guaranteeing longevity, resistance and reliability of the structure itself.

Thanks to its unique design, this product enhances the look of any space, adding a luxurious and prestigious touch.

The Unipromet company offers a basic model with two parking spaces, but thanks to the modular concept, it can easily be expanded for larger capacities, enabling efficient covering of larger parking areas.

THE POWER
OF
INNOVATION,
DESIGN
AND
SUSTAINABILITY

WHY IS UNI CARPORT THE RIGHT CHOICE?

- **Exceptional strength and durability:** Made of high-quality steel and protected according to the EN 1461 standard, the UNI Carport guarantees permanent resistance and stability.
- **Resistance to extreme weather conditions:** Designed to withstand wind speeds of up to 25 m/s and a snow load of 1.5 kN/m², it provides maximum protection even in the most demanding conditions.
- **Functional design:** The roof angle of 7 degrees allows for efficient drainage of water and snow, which further increases the longevity and functionality of the structure.
- **Solid and reliable construction:** Metal hot-dip galvanized construction ensures long-lasting protection for your vehicles, reducing maintenance costs.
- **Unique aesthetic appearance:** UNI Carport not only protects your vehicle, but also enhances the appearance of your space, making it the perfect choice for modern investors.
- **Scalability:** UNI carport is originally intended for two parking spaces. The construction is modular, and by adding one pillar in the extension, two more parking spaces are obtained, which makes it possible to continue the carport to cover the desired area.

SOLAR UNI CARPORT

TURNKEY SYSTEM

Unipromet offers you a fully integrated and sustainable turnkey solution that includes all phases of implementation:

- Preparation of project and technical documentation,
- Obtaining all necessary permits,
- Delivery and installation of steel construction,
- Installation of top quality equipment
 - solar panels, inverters and chargers from renowned global manufacturers and
- Optional – accompanying elements: gutters and sheet metal.

UNI Carport is an energy-efficient, long-term investment that combines functionality, aesthetics and environmental responsibility.

Our turnkey offer includes:



Panels: Jetion i Rich-PV



Huawei inverters



ABB chargers



Huawei batteries

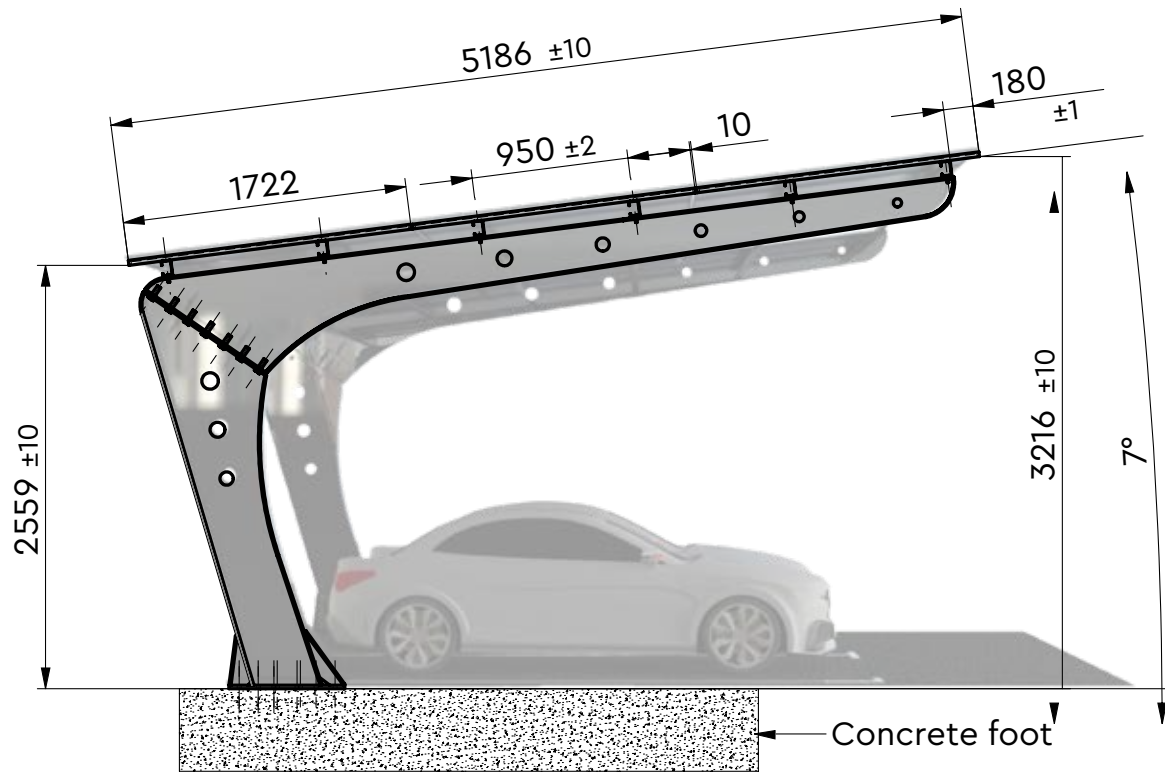
*optional



Gutters and sheet metal roof

*optional

TECHNICAL SPECIFICATIONS



panel dimensions	L1134x (172mm/1903mm)
panel orientation	3×5 portrait panels
length with panels in place	5200mm/5750mm
construction height	from the front H=2500mm from the back H=3500mm

EPC MODELS

Tailor-made for your project



The company Unipromet offers EPC (Engineering, Procurement, Construction) service which enables clients to achieve maximum benefits from of their investments, and all in accordance with of the highest quality standards and sustainability.

Our ability to offer integrated, scalable and customized solutions make us a reliable partner for everyone clients who want optimized projects that maximize efficiency and reduce the total expenses.

With a strong market presence Balkans and the ambition to expand to other parts of Europe, Unipromet is committed to the development and implementation of solutions that contribute to energy efficiency, reduction carbon footprint and improvement sustainable business practices.

A
RELIABLE
PARTNER
AT
EVERY
STEP

FROM IDEA TO IMPLEMENTATION

COMPREHENSIVE AND OPTIMIZED SOLUTIONS

FULL EPC

Comprehensive solution

An engagement that implies full responsibility of Unipromet for the realization of the entire project:

- **Engineering** – preparation of technical documentation and project solutions,
- **Procurement** - delivery of complete materials, equipment and supporting services,
- **Construction** - performance of works in accordance with defined deadlines, budget and specifications,

This model enables complete process coordination and guarantees consistency in all stages of realization - **from idea to functional system.**

LIGHT EPC

Optimized engagement

A model adapted to smaller-scale projects, with a focus on speed and operational efficiency:

- **Engineering** – technical support and simplified design,
- **Procurement** – delivery of steel structures and wire systems,
- **Construction** – preparation of the terrain and distribution of elements to the construction site.

An ideal solution for investors who want reliable technical support and quality delivery with controlled costs and shorter deadlines.

IMPLEMENTATION OF ASSEMBLY WORKS

TECHNICAL AND HUMAN CAPACITIES



EPC models of cooperation can also include the production and installation of **wire fences** for securing the space of solar power plants.



MECHANIZATION

- 12 Hydraulic Pile Drivers
- 4 excavators
- 1 bulldozer
- 4 damp trucks
- 1 Barford

HUMAN RESOURCES

120 workers on installation

PROJECTS THAT LEAVE A "GREEN" FOOTPRINT

INVESTMENT IN CLEAN ENERGY

PROJECTS COMPLETED IN 2024.

- Kikinda (SERBIA) 1,19 MW
- Neresnica (SERBIA) 13,7 MW
- Tonopah (USA) 1,75 MW

Ongoing projects: 42 MW

Projects in preparation: 524 MW





We are always here to provide you with comprehensive, expert advice on planning your system and to answer any logistics and ordering questions you may have.

SERBIA

Unipromet d.o.o.

Bulevar oslobodilaca Čačka 92A

32 103 Konjevići, Čačak – Serbia

T: +381 32 357 040

E: office@unipromet.co.rs

