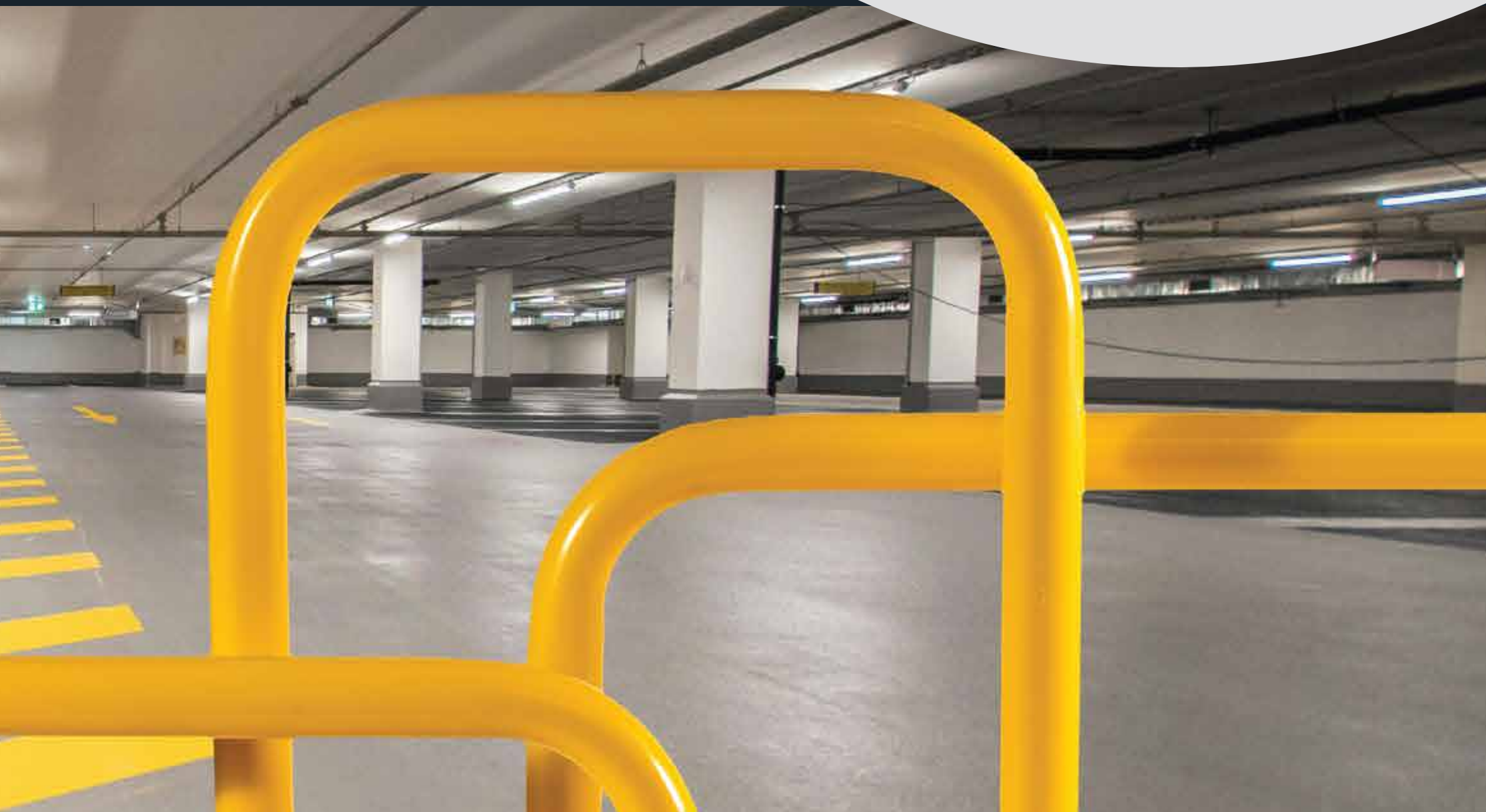


On the Bright Side of the Road.

UNIPROMET



VERTICAL SIGNALIZATION CATALOGUE



Offices

ČAČAK

Bulevar oslobodilaca Čačka 92A

32 103 Konjevići, Čačak

T: +381 32 357 040

E: office@unipromet.co.rs

KRALJEVO

Ibarska 83

36 000 Kraljevo

T: +381 36 821 843

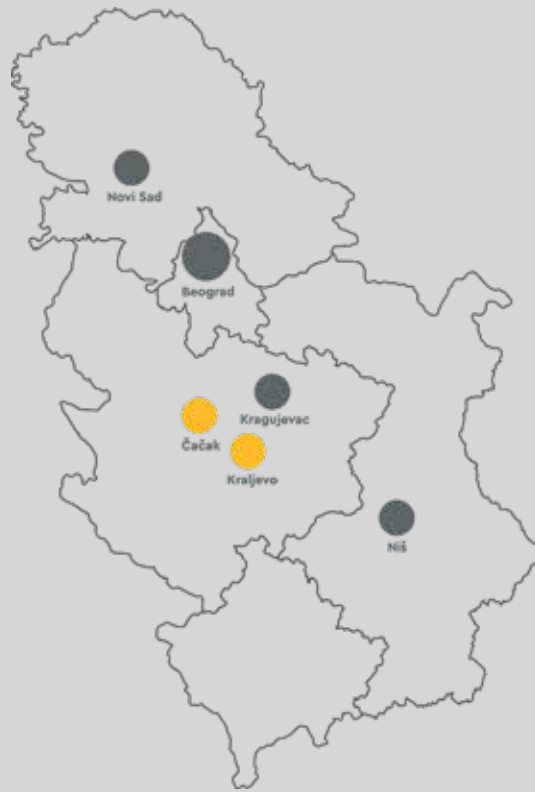
E: officekv@unipromet.co.rs



WELCOME TO UNIPROMET

„Safety as a gift“ is the driving idea that founded our company, with the goal of making the world a safer place for our children and future generations.

Today, thirty years later, we have the same goal and we are proud that the name Unipromet has become synonymous with safety.



Content:

ABOUT US

• Locations	1
• Who We are	2
• Mission, Vision & Values	4
• Demographics	5
• History	6
• What we do	9

WHAT WE DO

• Crows control barriers	12
• Safety Barrier Bollards	14
• Parking Bollard	16
• Parking Wheel Stops	18
• Hoop Protection Guards	20
• Tubular Frame with Posts	22
• Tubular Posts	24



WHO WE ARE

The company Unipromet was founded in 1989, as a privately owned business. For over three decades now, we have been manufacturing and installing safety guard rails all according to European (EN 1317 standard series) and international standards GOST R (Russian), AASHTO (American) and NF (French). In this period the company has specialized in the production, delivery and installation of road-fence security systems, noise protection panels, seam pipes and various steel constructions and become a regional leader. Anually, we process over 80.000 t of steel and aluminium and most of the steel elements are galvanized in our own galvanizing plant.



UNIPROMET



Metal processing is conducted on over **60.000 m²** of working area and **220.000 m²** of land in two facilities. One is positioned in the nearby town, Kraljevo, where various types of steel seam pipes are manufactured and the other one in Čačak, where safety guard rails, aluminum panels for noise protection and other road equipment is being produced (pedestrian fences, portals and vertical signaling poles, etc.)

We have over **660 employees** who are the driving force of the company and the guarantee of quality and further success. Our own R&D center enables continuous enhancement of the existing and the development of new products. Our specialized engineers participate in the development and improvement of safety systems, together with the experts of other European manufacturers. Membership in the "Gütegemeinschaft Stahlschutzplanken eV" association for good quality and "Studiengesellschaft Stahlschutzplanken eV" association for development, better known as **RAL**, and constant quality control performed in modern laboratories such as **TUV** and **BAST** from Germany and **SWISS TESTING** from Switzerland, enable us the access to all markets that have accepted **EN1317 standards**.

The company has a fleet of over **thirty trucks** for international transport as well as ten mobile teams for the installation of safety guardrails, wire fences and noise protection barriers. Over the years, the company has gained the trust of many partners from the region and around the world. Possession of ISO 9001, CE, GOST and NF certificates enables export of over 55% of production to markets of over **30 countries** - from Germany, Switzerland and Italy, through the countries of the Romanian region, Bulgaria and all countries originating from the SFRY, from Russia and Turkey, to Senegal and Libya.

Mission

Our mission is to create products that improve quality and safety of life in our society. Always on the bright side of the road.

Vision

Our vision is to be a synonym for a reliable company that creates and respects values.

Values

- Open communication and mutual trust
- Human welfare
- Reliability
- Integrity
- Persistence
- Innovation

660
employees

24%

Export to over

30 countries

with high education

57%

40 employees younger than
years

HISTORY

1989.

Unipromet is founded as a trading company

1996.

Line for profiling, longitudinal cutting and press brakes was purchased.



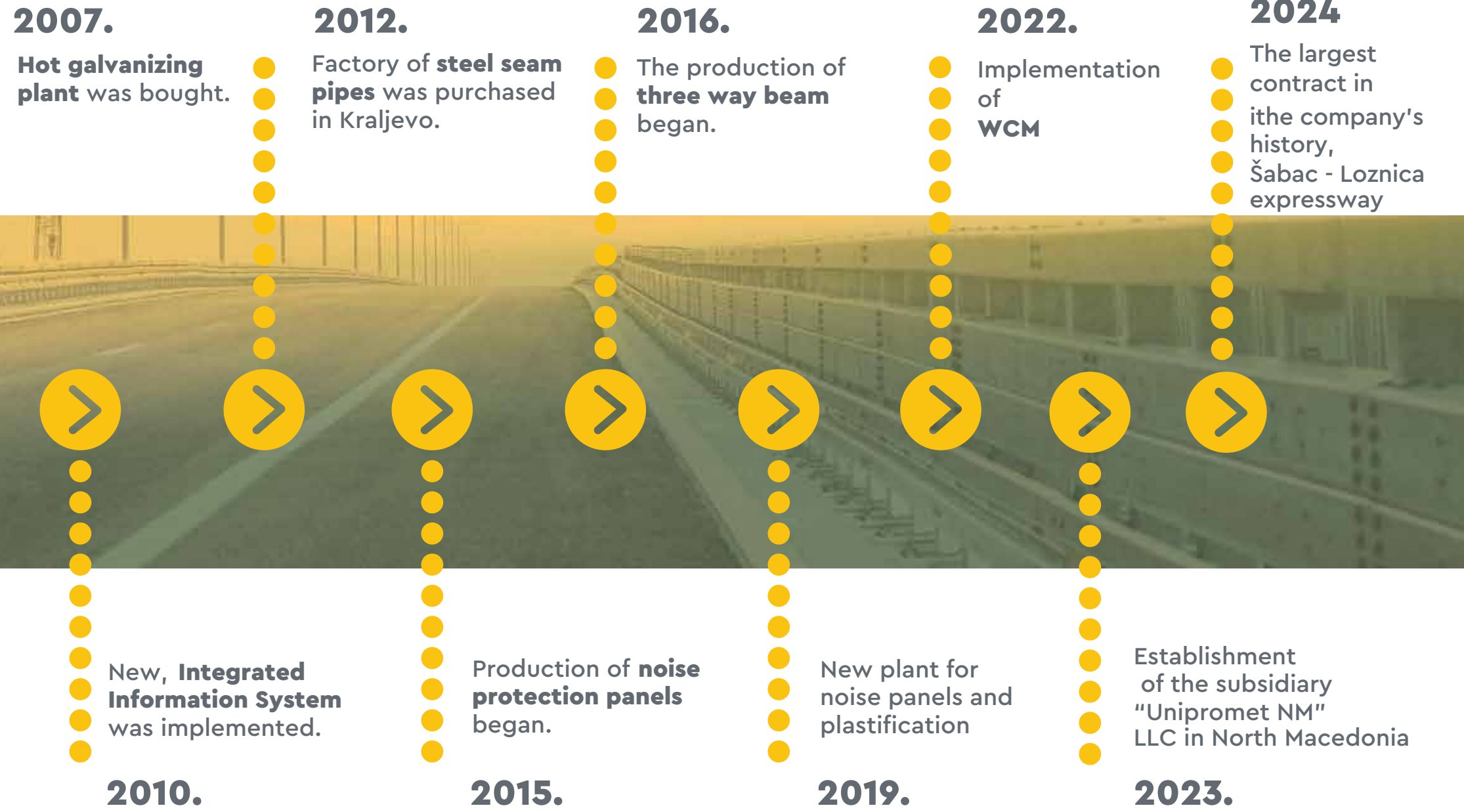
Idea of the manufacturing of steel guard rails was born.

Unipromet became a member of the "RAL" society from Germany

1992.

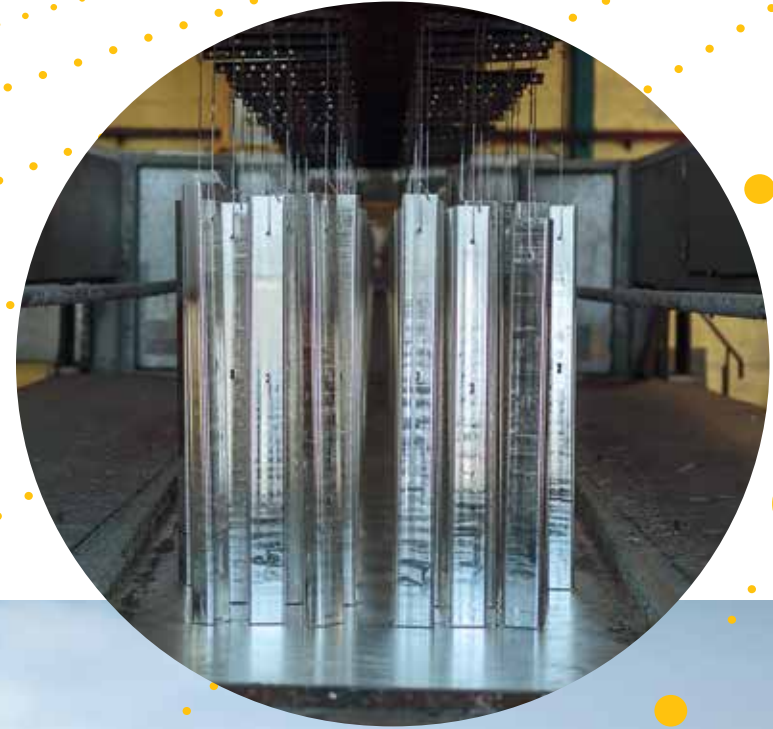
2004.







WHAT WE DO



EQUIPMENT FOR ROADS

- Safety Guardrails
- Noise Protection Panels
- Pedestrian Fences





COLD FORMED PROFILES AND SHEETS

- ZP Profiles
- Handle M9
- Tubes and pipes
- Cold rolled sheet
- Hot rolled sheet
- Cold rolled strip
- Hot rolled strip

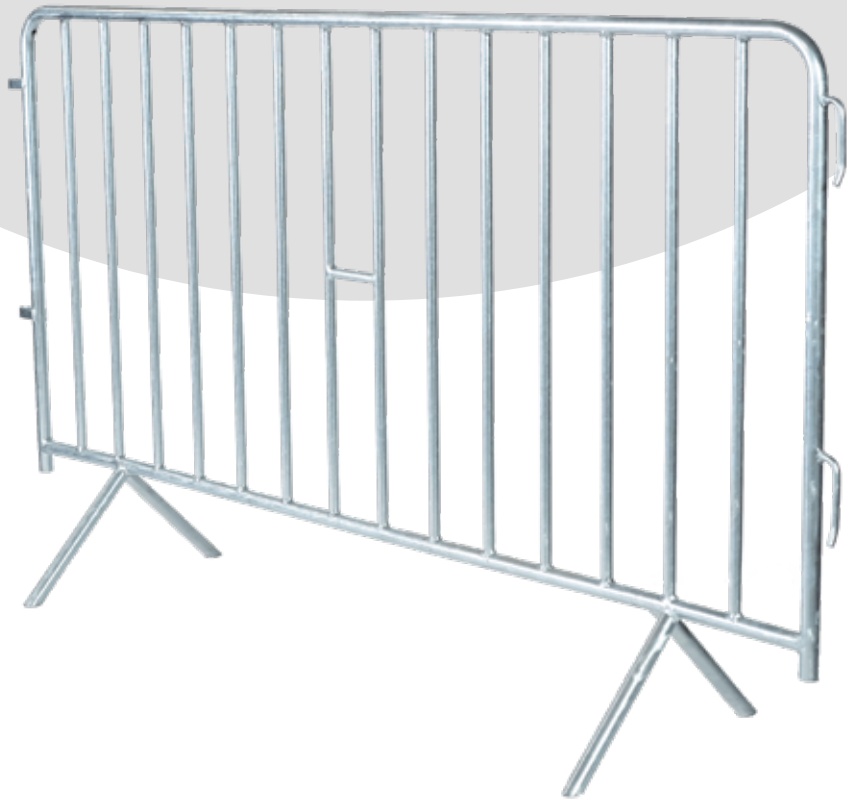
STEEL CONSTRUCTIONS

- for farms
- for industry
- for mobile fences
- for traffic signalization
- for solar photovoltaic power plants
- for Carports
- for vineyards and orchards

SERVICES

- hot-dip galvanizing service
- plastification
- transport services

CROWD CONTROL BARRIERS



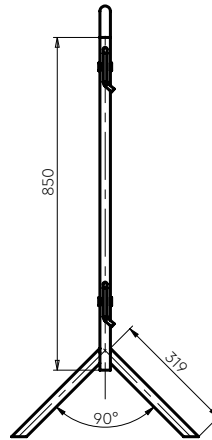
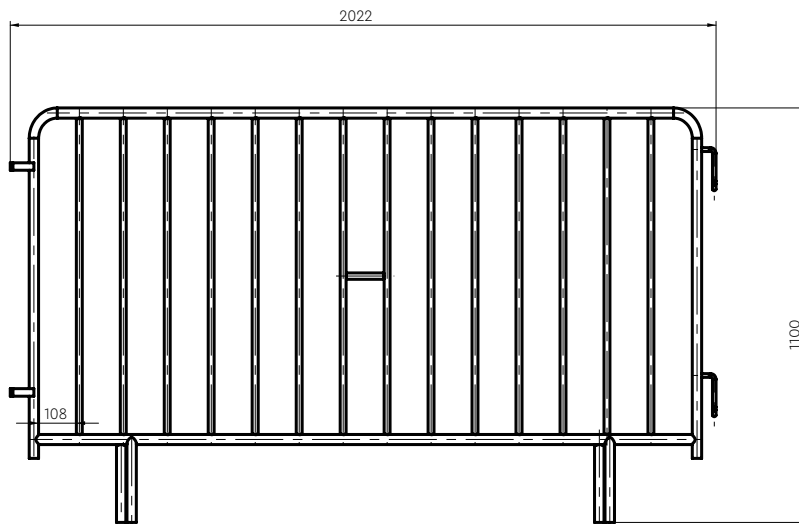
Mobile fences are an ideal solution for temporary fencing of spaces at public gatherings, sports events, concerts and other events. These fences are made of solid materials, ensuring high stability and durability.

One of the main advantages of mobile fences is their flexibility in installation, which makes them suitable for different types of terrain and situations.

They are easy to transport, making them a practical choice for event organizers. They are equipped with special connectors that ensure stability even on uneven terrain, while their construction is designed to be resistant to external influences such as wind and rain.

Their multiple usability, as well as the possibility of personalization through the addition of banners and advertisements, make them an economical and attractive solution for a wide range of applications.

CROWD CONTROL BARRIERS



Dimensions	F26.9X1.8 1100X1927
Materials	Steel S235
Color by RAL	The fence is galvanized
Weight	22 kg
Frame dimension	F26.9X1.8
The diameter of the tube in the frame	F17.2X2
Finishing work	Yes

SAFETY BARRIER BOLLARD

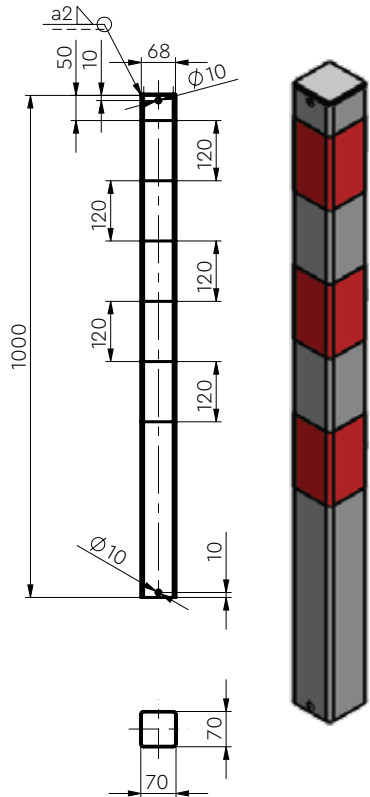


Barrier protections are a practical solution for controlling access and providing parking space in urban areas, in front of business buildings, residential buildings and on public areas.

One of the key advantages of parking bollards is their functionality. They can be easily installed to secure specific zones and are available in different models. Their assembly and maintenance are simple, and additional equipment such as reflective strips or light elements improve their visibility and safety at night.

Parking bollards can be installed in two ways: by concreting or doweling. Concreting ensures a solid and permanent installation, while doweling allows for simpler and faster installation, especially on already prepared surfaces. Both methods provide stability and security, depending on the needs and specifics of the location.

SAFETY BARRIER BOLLARD



Dimensions	F76.1X2.9 L1000	F88.9X2.9 L1000	70X70X2.8 L1000	F108X2.9 L1000	F152X3.2 L1000
Materials	Steel S235	Steel S235	Steel S235	Steel S235	Steel S235
Color by RAL	RAL 9016	RAL 9016	RAL 9016	DB703	RAL 9016
Weight	5,4 kg	6,6 kg	6,5 kg	8,1 kg	12,7 kg
Reflective strip	Red	Red	Red	Orange	Red
The diameter of the tube in the frame	F76.1X2.9	F88,9X2.9	70X70X2.8	F108X2.9	F152X3.2
Method of installation	filling or concreting	filling or concreting	filling or concreting	filling or concreting	filling or concreting
Finishing work	Yes	Yes	Yes	Yes	Yes

PARKING BOLLARD

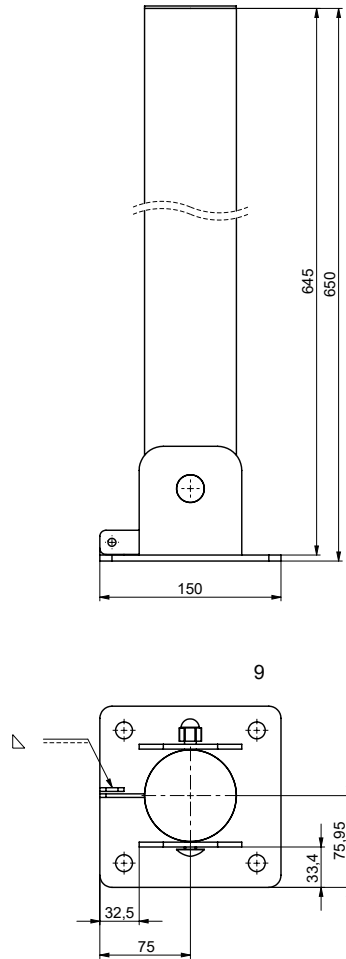


Our parking bollards provide a practical solution for any parking area or traffic zone. In addition to clearly defining boundaries and regulating vehicle access, they enhance pedestrian safety and help protect surrounding infrastructure.

Whether for residential complexes, commercial buildings, or public spaces, these bollards help organize parking areas, prevent unauthorized parking, and keep the space clear and orderly.

Quick and easy to install, they can be flexibly positioned wherever needed, whether for traffic control, pedestrian zone protection, or marking important entrances and access points.

PARKING BOLLARD



Dimensions	F76.1X3 L650
Materials	Steel S235
Color by RAL	RAL 1023
Weight	4,98 kg
Reflective strip	Black
The diameter of the tube in the frame	F76.1X3
Finishing work	Yes

PARKING WHEEL STOPS

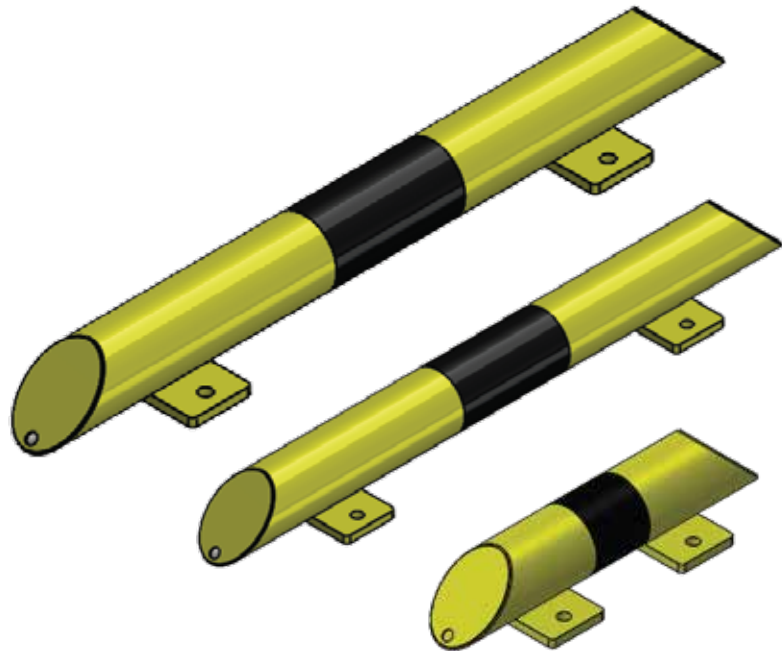


Our parking wheel stops provide a simple and effective solution for organizing and enhancing the safety of any parking area. They clearly define parking space boundaries, prevent improper parking, and help protect vehicles, pedestrian zones, and surrounding infrastructure from damage.

Designed for long-term performance, they are manufactured from durable materials capable of withstanding heavy use and adverse weather conditions, while requiring minimal maintenance. Quick and straightforward installation makes them suitable for public, commercial, and residential applications.

Functional and visually harmonious, our wheel stops contribute to clear space organization, improved traffic safety, and a neat, professional appearance in any parking facility.

PARKING WHEEL STOPS



Dimensions	F76.1X2 L400	F76.1 L800	F76.1 L1200
Materials	Steel S235	Steel S235	Steel S235
Color by RAL	RAL 1023	RAL 1023	RAL 1023
Weight	3,33 kg	5,44 kg	7,61 kg
Reflective strip	Black	Black	Black
The diameter of the tube in the frame	F76.1X2	F76.1X2	F76.1X2
Finishing work	Yes	Yes	Yes

HOOP PROTECTION GUARDS

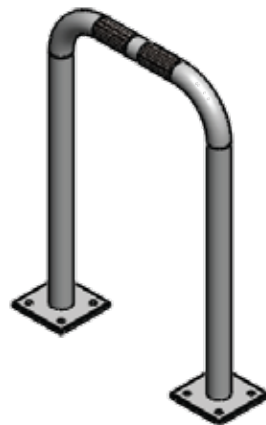
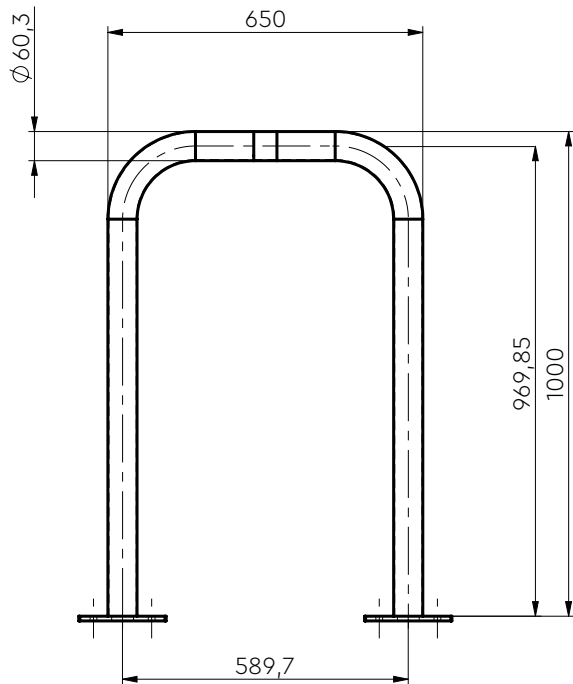
Protective frames for parking are a reliable solution for marking and protecting parking spaces in urban areas, in front of business buildings, residential buildings and on public areas. They are made of high-quality materials, which ensure durability and resistance to weather conditions, shocks and wear.

They are designed to clearly mark parking spaces and prevent unauthorized parking, thus achieving better organization and control of the parking space. Their simple and solid construction allows for easy installation, while stability ensures the safety of vehicles and pedestrians.

They are available in different dimensions and colors, which allows adaptation to the specific needs of the location. They can be equipped with reflective elements or markings to increase visibility and safety, especially during night hours. They are ideal for use in all places where it is necessary to permanently mark parking spaces and control vehicle access.



HOOP PROTECTION GUARDS



Dimensions	F60.3X2X600X750	F60.3X2X750X1000	F60.3X2X650X1000
Materials	Steel S235	Steel S235	Steel S235
Color by RAL	RAL 1023	RAL 1023	RAL 1023
Weight	10,3 kg	12 kg	12,5 kg
Reflective strip	Black	Black	Black
The diameter of the tube in the frame	F60.3X2	F60.3X2	F60.3X2
Finishing work	Yes	Yes	Yes

TUBULAR FRAME WITH POSTS

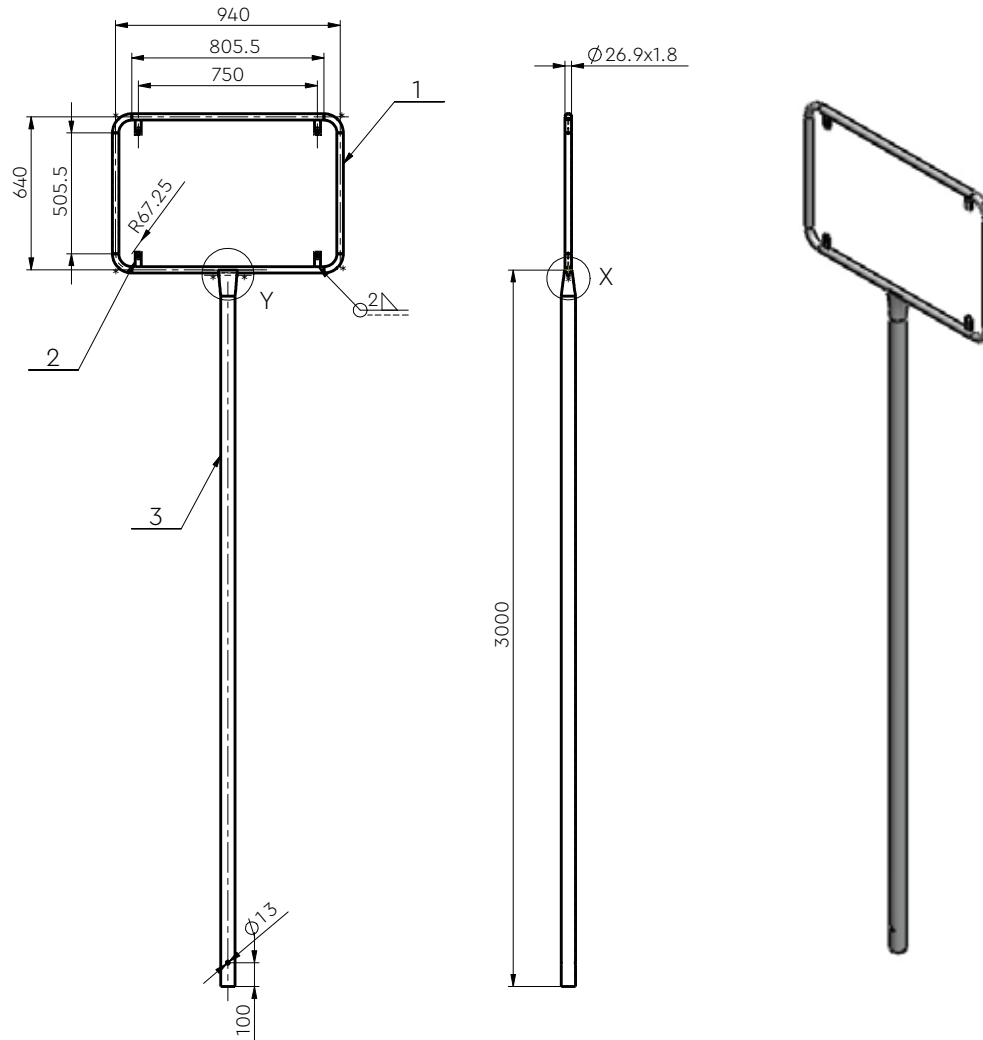


Traffic junctions are key elements for regulating and directing traffic on roads, intersections, industrial zones and other places where it is necessary to ensure the efficient flow of vehicles and pedestrians.

Their main advantage is that they significantly improve road safety, reduce traffic congestion and ensure optimal traffic flow. They are made of high-quality materials and the advanced technology used in their production ensures durability, reliability and resistance to all weather conditions.

These assemblies can be adapted to the specific needs and requirements of each location. In addition, they are easy to install and maintain, thus reducing operational costs.

TUBULAR FRAME WITH POSTS



Dimensions	from 1000mm to 5000mm
Materials	Steel S235
Color by RAL	Tubular frame is galvanized
Weight	depending on the length
Frame dimension	F26.9x1.8
Method of installation	filling or concreting
Finishing work	Yes

TUBULAR POSTS

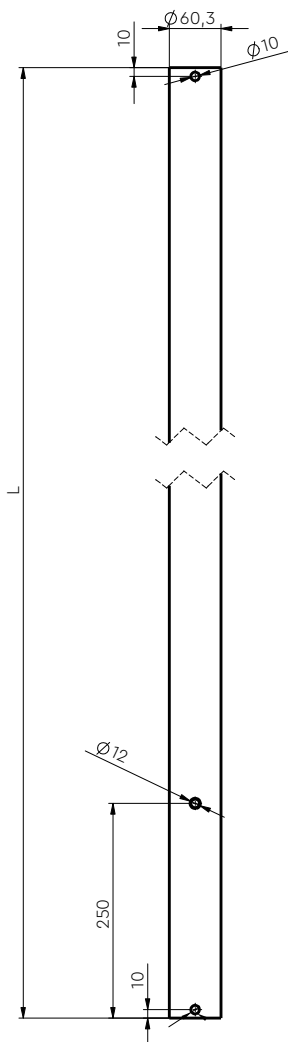


The traffic sign tube is the basic element for placing and stabilizing traffic signs on roads, intersections and other places where clear signaling is needed. Made of high-quality steel, this pipe ensures durability and resistance to corrosion, weather conditions and mechanical damage.

The pipe is available in different dimensions and diameters, allowing adaptation to different types of traffic signs and specific site needs. It is easy to install, with the option of fixing it in concrete or fixing it with anchor bolts, which ensures quick installation and reliable stability.

These pipes are designed to meet all safety and quality standards, thus contributing to traffic safety and organization.

TUBULAR POSTS



Dimensions	F26.9X1.8 1100X1927
Materials	Steel S235
Color by RAL	Post is galvanized
Weight	22 kg
Frame dimension	60.3x2, 60.3x2.9, 76.1x2, 76.1x2.9, 40x40x1.5
Prečnik cevi	F17.2X2
Finishing work	Yes



UNIPROMET



KATALOG VERTIKALNE SIGNALIZACIJE





www.unipromet.co.rs
office@unipromet.co.rs

